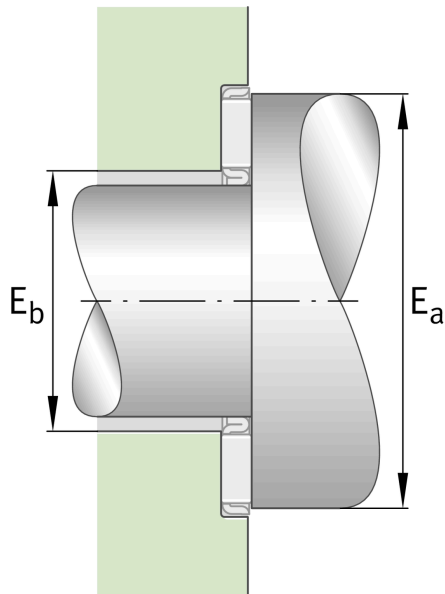
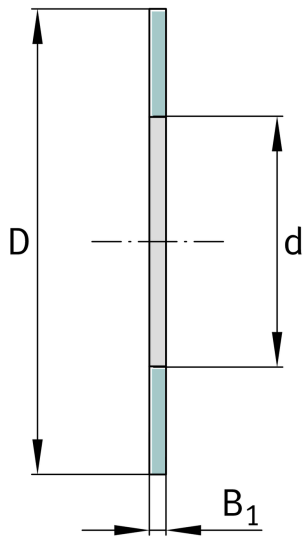
**AS0821**

Axial bearing washer

Materiálové číslo Schaeffler:
0007888130000

Axial bearing washers, suitable for AXK
and K811, to DIN 5405-3/ISO 303

Technické informace

**Main Dimensions & Performance Data**

| | | |
|----------------|----------|---------------------------------|
| d | 8,00 mm | Bore diameter bearing washer |
| D | 21,00 mm | Outside diameter bearing washer |
| B ₁ | 1,00 mm | Hight bearing washer |
| | 2,14 g | Hmotnost |