

FAG

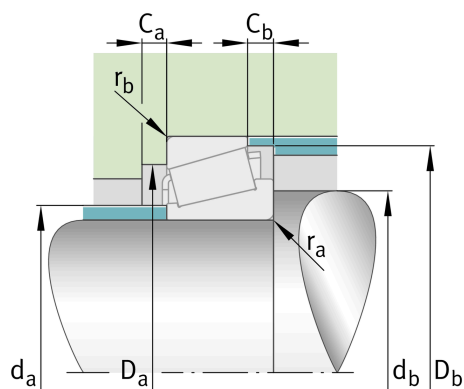
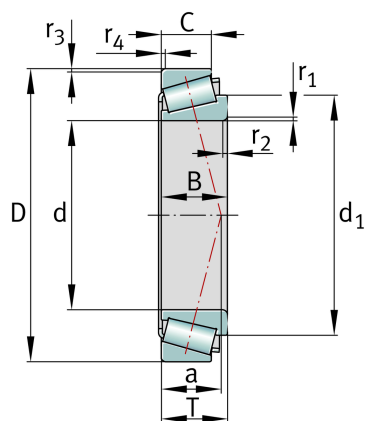
32040-X-XL

Tapered roller bearing

Materiálové číslo Schaeffler:
0797621900000Tapered roller bearings 320, main
dimensions to DIN ISO 355 / DIN 720,
separable, adjusted or in pairs

X-life

Technické informace



Main Dimensions & Performance Data

d	200,00 mm	Bore diameter
D	310,00 mm	Outside diameter
B	70,00 mm	Width, inner ring
C	53,00 mm	Width, outer ring
T	70,00 mm	Width, total
C_r	900.000,00 N	Basic dynamic load rating, radial
C_{0r}	1.380.000,00 N	Basic static load rating, radial
C_{ur}	179.000,00 N	Fatigue load limit, radial
n_G	2.500,00 1/min	Limiting speed
n_{gr}	1.280,00 1/min	Thermal speed rating
	18,58 kg	Hmotnost

Mounting dimensions

$d_{a \max}$	221,00 mm	Maximum diameter of shaft shoulder
$d_{b \min}$	212,00 mm	Minimum diameter of shaft shoulder
$D_{a \max}$	298,00 mm	Maximum diameter of housing shoulder
$C_{a \min}$	11,00 mm	Minimum axial space
$C_{b \min}$	17,00 mm	Minimum axial space
$r_{a \max}$	3,00 mm	Maximum fillet radius of shaft

Dimensions

$r_{1,2 \min}$	3,00 mm	Minimum chamfer dimension of inner ring back face
$r_{3,4 \min}$	2,50 mm	Minimum chamfer dimension of outer ring back face
a	67,00 mm	Distance between the apexes of the pressure cones
d_1	253,00 mm	Guidance rib diameter of inner ring

Temperature range

T_{\min}	-30,00 °C	Operating temperature min.
T_{\max}	200,00 °C	Operating temperature max.

Calculation factors

e	0,43	Limiting value of F_a/F_r for the applicability of diff. Values of factors X and Y
Y	1,39	Dynamic axial load factor
Y_0	0,77	Static axial load factor

Additional information

T4FD200	Comparative designation to ISO 10317 and ISO 355
---------	--