



RME65-214-XL

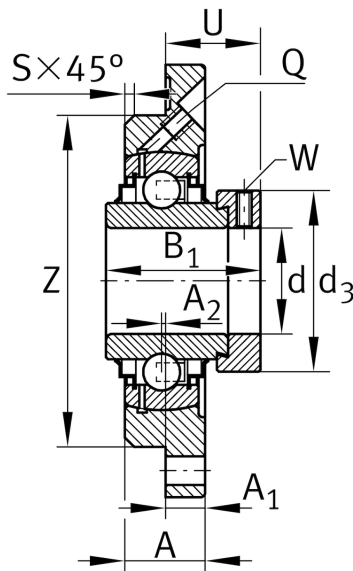
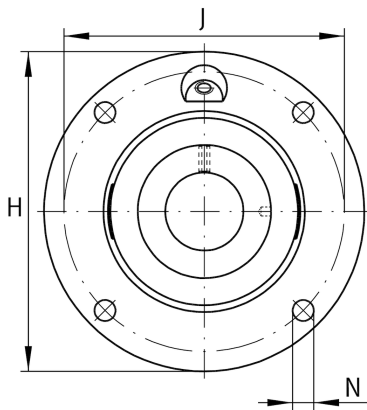
Flanged housing unit

Materiálové číslo Schaeffler:
0947307250000

Housing units RME, four-bolt flanged housing units, cast iron, centring spigot, eccentric locking collar, R seals

X-life

Technické informace



Main Dimensions & Performance Data

d	[65] mm	Bore diameter
H	[215] mm	Height flange
B ₁	[66] mm	Locking collar total width
U	[44,5] mm	Total height unit
C _r	[66.000] N	Basic dynamic load rating, radial
C _{0r}	[44.000] N	Basic static load rating, radial
C _{ur}	[2.090] N	Fatigue load limit, radial
	[5,2] kg	{Hmotnost}

Mounting dimensions

J	[177] mm	Pitch circle diameter (holes)
N	[18] mm	Fixing bore
Z	[150] mm	Diameter spigot
	[h8]	Diameter spigot clearance
W	[6] mm	Width across flats
n	[4]	Number of screwing holes

Dimensions

A	[32] mm	Height housing
A ₁	[18] mm	Thickness of flange
S	[6] mm	Chamfer width
Q	[M6]	Connection thread for lubrication

Additional information

	[1]	Number of housings
	[ME14]	Housing
	[GE65-214-XL-KRR-	Bearing designation
	B]	

Temperature range

T _{min}	[-20] °C	Operating temperature min.
T _{max}	[120] °C	Operating temperature max.