

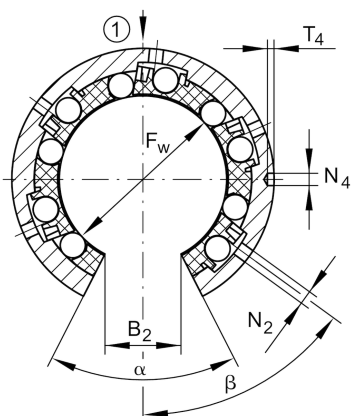
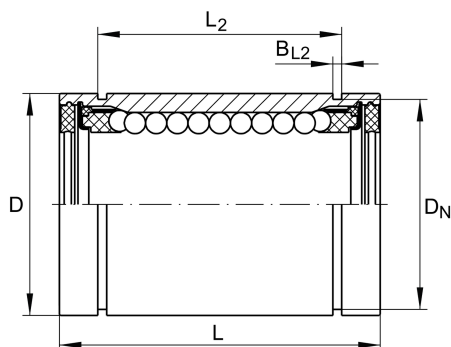
KBO40-PP-AS

Linear ball bearing

Materiálové číslo Schaeffler:
0015242590000

Linear ball bearings KBO..-PP-AS, machined range, open design, sealed on all sides, with relubrication facility, corrosion-resistant design possible

Technické informace



Main Dimensions & Performance Data

F_w	40 mm	Bore diameter of ball complement
D	62 mm	Outside diameter
L	80 mm	length
	h12	Tolerance
C_{max}	6.100 N	load capacity dyn.
C_{0max}	4.600 N	load capacity stat.
$\approx m$	511 g	Hmotnost

Mounting dimensions

B_2	18,2 mm	Width of sector opening
L_2	60,3 mm	
	H13	Tolerance
B_{L2}	2,15 mm	
D_N	59 mm	
T_4	1,5 mm	
N_4	3 mm	
N_2	3 mm	
α	54 °	Angle of sector opening
β	54 °	
	5	Number of rows balls