

FAG

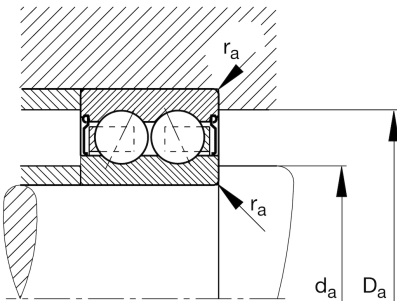
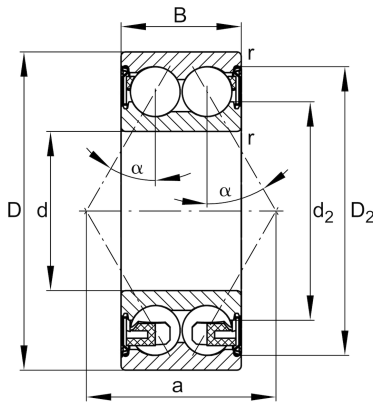
3209-BD-XL-2Z-TVH

Angular contact ball bearing

Schaeffler ID:
0627702680000Angular contact ball bearing 32..-BD-
XL-2Z-TVH, double row, X-life, shields,
plastic cage

X-life

Technical information

**Main Dimensions & Performance Data**

d	45 mm	Bore diameter
D	85 mm	Outside diameter
B	30,2 mm	Width
C_r	50 000 N	Basic dynamic load rating, radial
C_{0r}	39 000 N	Basic static load rating, radial
C_{ur}	2 700 N	Fatigue load limit, radial
n_G	6 300 1/min	Limiting speed
n_{gr}	8 400 1/min	Reference speed
	0,622 kg	Weight

Dimensions

r_{min}	1,1 mm	Minimum chamfer dimension
D_2	78,1 mm	Caliber diameter outer ring
d_2	57,7 mm	Caliber diameter inner ring
a	50,3 mm	Distance between the apexes of the pressure cones
α	30 °	Contact angle

Mounting dimensions

$d_{a min}$	52 mm	Minimum diameter shaft shoulder
$D_{a max}$	78 mm	Maximum diameter of housing shoulder
$r_{a max}$	1 mm	Maximum fillet radius

Temperature range

T_{min}	-20 °C	Operating temperature min.
T_{max}	120 °C	Operating temperature max.