



/medias/en!hp.ec.br.pr//medias/en!hp.pv/193.86.1.30EGF06070-E40-YEGF..-E40Bundbuchsen

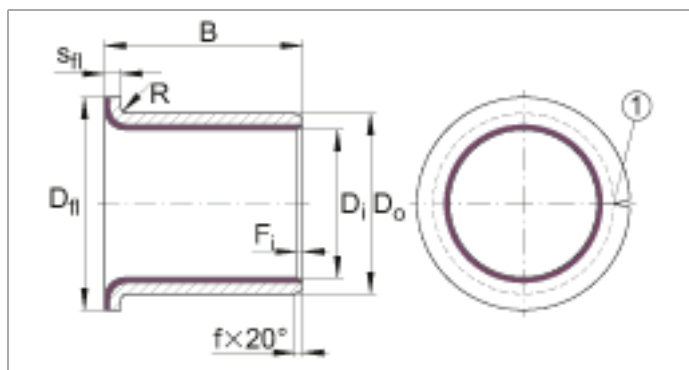
Flanged bushes EGF06070-E40 (Series EGF..-E40)

bushes, maintenance-free, with steel backing

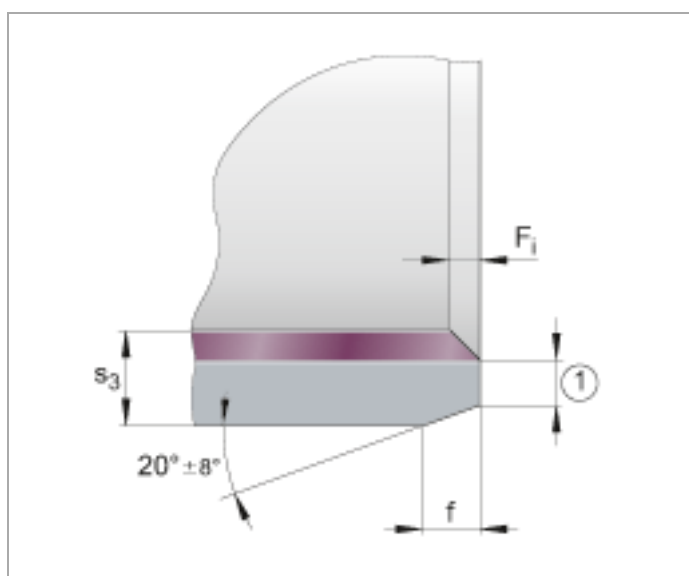
The datasheet is only an overview of dimensions and basic load ratings of the selected product. Please always observe all the guidelines in these overview pages. Further information is given on many products under the menu item "Description". You can also order comprehensive information via the Catalogue ordering system

(https://www.schaeffler.de/content.schaeffler.de/en/news_media/index.jsp) or by telephone on +49 (91 32) 82 - 28 97.

D_i	6 mm
D_o	8 mm Tolerance: +0,025/+0,055
B	7 mm Tolerance: +/-0,25
	Recommended mounting tolerance: Shaft f7 Housing bore H7
D_{fi}	12 mm Tolerance: +/-0,5
f	0,6 mm Tolerance: +/-0,4
$F_{i\max}$	0,6 mm
$F_{i\min}$	0,1 mm
R_{\max}	1 mm
s_3	1 mm
S_{fi}	1 mm Tolerance: +0,05/-0,2
m	1,4 g Mass
C_r	4200 N Basic dynamic load rating, radial
C_{0r}	7500 N Basic static load rating, radial
C_a	4840 N Basic dynamic load rating, axial
C_{0a}	8640 N Basic static load rating, axial



(1) Butt joint



(1) $\geq 0,3$ mm (0,012 inch)