



PCFT50-XL

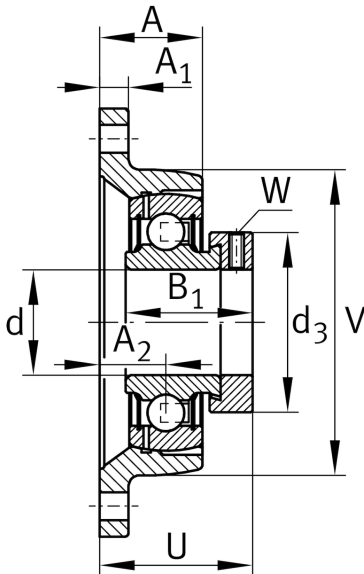
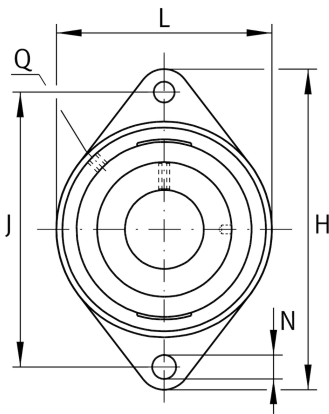
Flanged housing unit

Materiálové číslo Schaeffler:
0945710820000

Housing units PCFT, two-bolt flanged housing units, cast iron, eccentric locking collar, P seals

X-life

Technické informace



Main Dimensions & Performance Data

d	50 mm	Bore diameter
L	116 mm	Flange width
H	190 mm	Height flange
U	51,9 mm	Total height unit
C _r	37.500 N	Basic dynamic load rating, radial
C _{0r}	23.200 N	Basic static load rating, radial
C _{ur}	1.090 N	Fatigue load limit, radial
≈m	1,72 kg	Hmotnost

Mounting dimensions

J	157 mm	Distance fixing bore
N	14 mm	Fixing bore
n	2	Number of screwing holes

Dimensions

A	30,2 mm	Height housing
A ₁	13 mm	Thickness of flange
A ₂	19,2 mm	Distance raceway
V	116 mm	Shoulder diameter housing
Q	M6	Connection thread for lubrication
d ₃	69 mm	Outside diameter locking collar

Additional information

1	Number of housings
CFT10	Housing
GRAE50-XL-NPP-B	Bearing designation

Temperature range

T _{min}	-20 °C	Operating temperature min.
T _{max}	120 °C	Operating temperature max.