

FAG

## 3304-BD-XL-TVH-C3

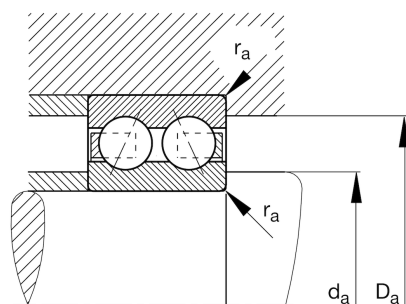
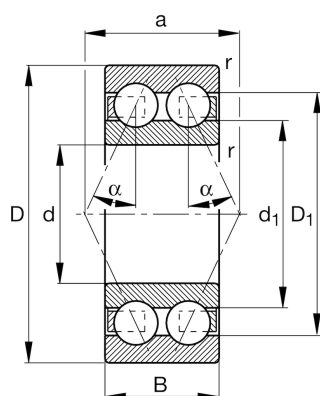
Angular contact ball bearing

Materiálové číslo Schaeffler:  
0644465810030

Angular contact ball bearing 33..-BD-XL-TVH, double row, X-life, plastic cage

X-life

## Technické informace



## Main Dimensions &amp; Performance Data

d	20 mm	Bore diameter
D	52 mm	Outside diameter
B	22,2 mm	Width
$C_r$	24.600 N	Basic dynamic load rating, radial
$C_{0r}$	15.900 N	Basic static load rating, radial
$C_{ur}$	1.100 N	Fatigue load limit, radial
$n_G$	14.700 1/min	Limiting speed
$n_{gr}$	10.400 1/min	Reference speed
	0,206 kg	{Hmotnost}

## Mounting dimensions

$d_{a \min}$	27 mm	Minimum diameter shaft shoulder
$D_{a \max}$	45 mm	Maximum diameter of housing shoulder
$r_{a \max}$	1 mm	Maximum fillet radius

## Dimensions

$r_{\min}$	1,1 mm	Minimum chamfer dimension
$D_1$	44 mm	Shoulder diameter outer ring
$d_1$	33,5 mm	Shoulder diameter inner ring
a	30,4 mm	Distance between the apexes of the pressure cones
$\alpha$	30 °	Contact angle

## Temperature range

$T_{\min}$	-30 °C	Operating temperature min.
$T_{\max}$	120 °C	Operating temperature max.