



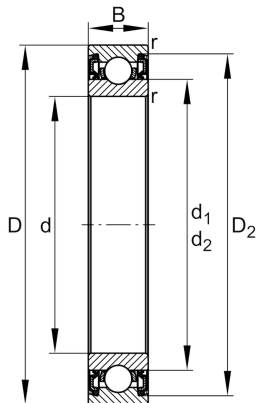
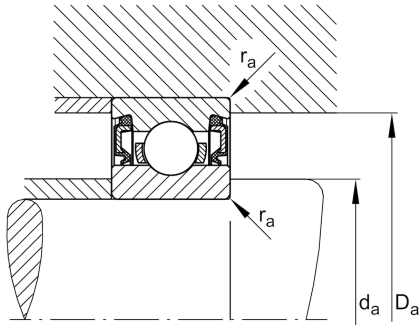
FAG

**61908-2RZ**

Deep groove ball bearing

Materiálové číslo Schaeffler:  
0797311800000Deep groove ball bearing 619..-2RZ, single  
row, shields, steel sheet metal cage

## Technické informace

**Main Dimensions & Performance Data**

d	40 mm	Bore diameter
D	62 mm	Outside diameter
B	12 mm	Width
$C_r$	14.500 N	Basic dynamic load rating, radial
$C_{0r}$	9.900 N	Basic static load rating, radial
$C_{ur}$	590 N	Fatigue load limit, radial
$n_G$	13.500 1/min	Limiting speed
$n_{gr}$	10.000 1/min	Reference speed
	0,11 kg	Hmotnost

**Mounting dimensions**

$d_{a\ min}$	43,2 mm	Minimum diameter shaft shoulder
$D_{a\ max}$	58,8 mm	Maximum diameter of housing shoulder
$r_{a\ max}$	0,6 mm	Maximum fillet radius

**Dimensions**

$r_{\ min}$	0,6 mm	Minimum chamfer dimension
$D_2$	57,3 mm	Caliber diameter outer ring
$d_1$	46,9 mm	Shoulder diameter inner ring

**Temperature range**

$T_{\ min}$	-30 °C	Operating temperature min.
$T_{\ max}$	100 °C	Operating temperature max.

**Calculation factors**

$f_0$	15,5	Calculation factor
-------	------	--------------------