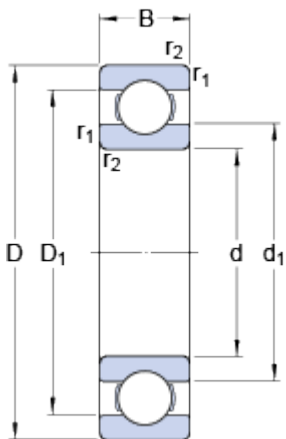


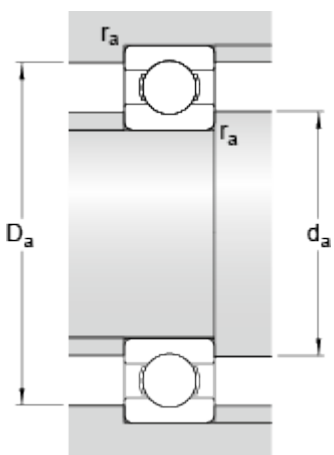
6036 M

Dimensions



d	180	mm
D	280	mm
B	46	mm
d_1	≈ 212.05	mm
D_1	≈ 248	mm
$r_{1,2}$	min. 2.1	mm

Abutment dimensions



d_a	min. 190	mm
D_a	max. 270	mm
r_a	max. 2	mm

Calculation data

Basic dynamic load rating	C	190	kN
Basic static load rating	C_0	200	kN
Fatigue load limit	P_u	5.6	kN
Reference speed		4800	r/min
Limiting speed		4000	r/min
Calculation factor	k_r	0.025	
Calculation factor	f_0	15.6	

Mass

Mass bearing	10.3	kg
--------------	------	----