



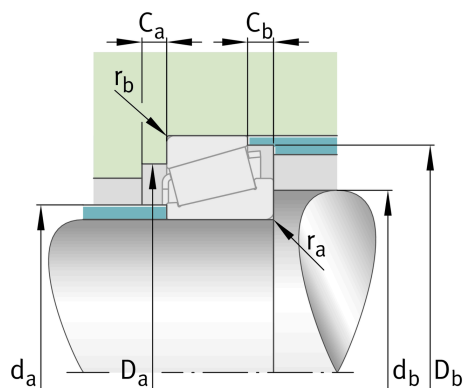
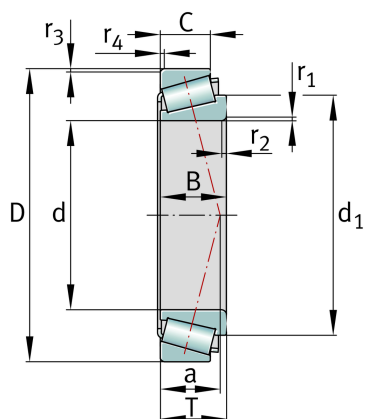
FAG

**33005-H**

Tapered roller bearing

Materiálové číslo Schaeffler:  
0957002500000Tapered roller bearings 330, main  
dimensions to DIN ISO 355 / DIN 720,  
separable, adjusted or in pairs

## Technické informace

**Main Dimensions & Performance Data**

|          |              |                                   |
|----------|--------------|-----------------------------------|
| d        | 25 mm        | Bore diameter                     |
| D        | 47 mm        | Outside diameter                  |
| B        | 17 mm        | Width, inner ring                 |
| C        | 14 mm        | Width, outer ring                 |
| T        | 17 mm        | Width, total                      |
| $C_r$    | 31.400 N     | Basic dynamic load rating, radial |
| $C_{0r}$ | 41.500 N     | Basic static load rating, radial  |
| $C_{ur}$ | 4.750 N      | Fatigue load limit, radial        |
| $n_G$    | 12.560 1/min | Limiting speed                    |
| $n_{gr}$ | 9.400 1/min  | Thermal speed rating              |
|          | 139 g        | {Hmotnost}                        |

**Mounting dimensions**

|              |        |                                      |
|--------------|--------|--------------------------------------|
| $d_{a \max}$ | 30 mm  | Maximum diameter of shaft shoulder   |
| $d_{b \min}$ | 30 mm  | Minimum diameter of shaft shoulder   |
| $D_{a \min}$ | 41 mm  | Minimum diameter of housing shoulder |
| $D_{a \max}$ | 42 mm  | Maximum diameter of housing shoulder |
| $D_{b \min}$ | 44 mm  | Minimum diameter of housing shoulder |
| $C_{a \min}$ | 3 mm   | Minimum axial space                  |
| $C_{b \min}$ | 3 mm   | Minimum axial space                  |
| $r_{a \max}$ | 0,6 mm | Maximum fillet radius of shaft       |
| $r_{b \max}$ | 0,6 mm | Maximum fillet radius of housing     |

### Dimensions

|                       |         |   |
|-----------------------|---------|---|
| $r_{1,2 \text{ min}}$ | 0,6 mm  | Minimum chamfer dimension of inner ring back face |
| $r_{3,4 \text{ min}}$ | 0,6 mm  | Minimum chamfer dimension of outer ring back face |
| a                     | 11 mm   | Distance between the apexes of the pressure cones |
| $d_1$                 | 38,2 mm | Guidance rib diameter of inner ring               |

### Temperature range

|                  |        |                            |
|------------------|--------|----------------------------|
| $T_{\text{min}}$ | -30 °C | Operating temperature min. |
| $T_{\text{max}}$ | 120 °C | Operating temperature max. |

### Calculation factors

|       |      |  |
|-------|------|--|
| e     | 0,29 | Limiting value of $F_a/F_r$ for the applicability of diff. Values of factors X and Y |
| Y     | 2,07 | Dynamic axial load factor  |
| $Y_0$ | 1,14 | Static axial load factor   |

### Additional information

|  |         |  |
|--|---------|--|
|  | T2CE025 | Comparative designation to ISO 10317 and ISO 355 |
|--|---------|--|